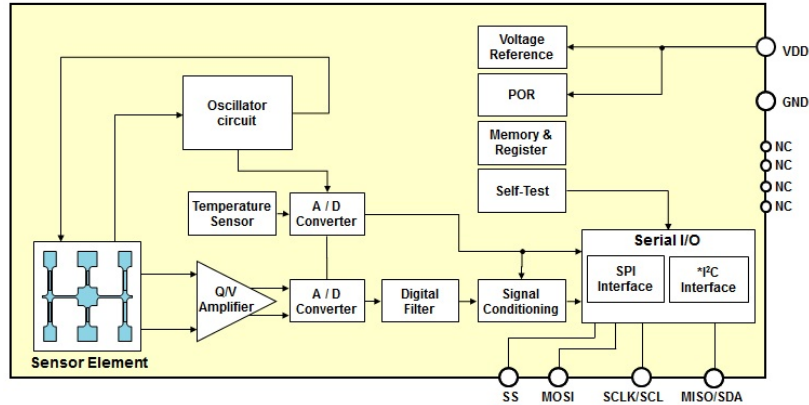


Function block diagram and main specifications

Function block diagram



Main specifications

Model number	XV4001BD	XV4001BC	XV4001KD	XV4001KC
Output interface	SPI (3-wire & 4-wire)	I ² C	SPI (3-wire & 4-wire)	I ² C
Supply voltage	3.3 V ±0.3 V			
Output sensitivity	370 LSB/(°/s) ±1.5%*			
Zero-rate level	±2 °/s*			
Noise	0.05 °/s RMS typ.			
External dimensions	5.0 × 3.2 × t1.3mm		6.0×4.8×t3.3mm	
Package inclined angle	0 degrees		20 degrees	

Note: The final two letters of the model name denote the package inclined angle and output interface.

* Values measured at +25°C.