



## FGO

### 2G/3G/4G/LTE High Gain Omni Antenna

#### Features

- ◆ High Gain Omni Antenna
- ◆ Covers 800/900/1800/1900/2100/2600 MHz bands
- ◆ Ideal for fringe network areas
- ◆ Supplied with Mount Bracket

#### Specifications

Frequency range	790-960 / 1710-2170 / 2500-2700 MHz
Gain	4 / 5 / 4 dBi
Polarisation	Linear
Impedance	50 Ohm
VSWR	<2.5:1
Power rating	10W
Operating Temp.	-40 to +70 degrees C
Cable / Connector	No cable, N-Female connector
Dimensions	354 x 45mm (hxd) excluding bracket

#### Popular Ordering Options

FFGO35242-NF-XX	FGO antenna with N-Female Connector
-----------------	-------------------------------------

Specifications subject to change without notice.

5 Little Balmer  
Buckingham Industrial Park  
Buckingham  
MK18 1TF  
UK

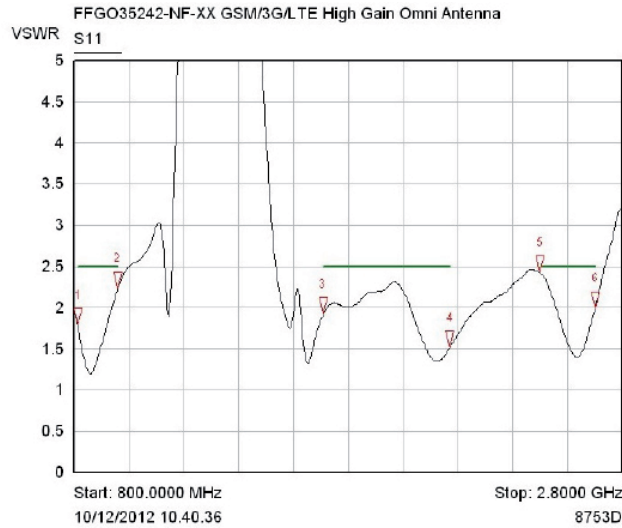
Tel: +44 (0)1280 824055  
Fax: +44 (0)1280 817179  
Email: sales@ead-ltd.com  
Web: www.ead-ltd.com

**EAD**   
embedded antenna design ltd  
*Delivering Antenna Innovation*

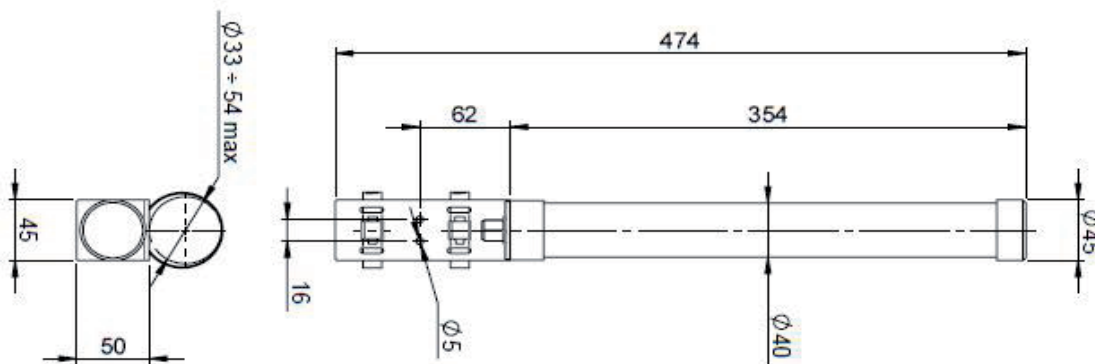


## FGO| 2G/3G/4G High Gain Omni Antenna

### Return Loss



### Outline Drawing



Specifications subject to change without notice.

5 Little Balmer  
Buckingham Industrial Park  
Buckingham  
MK18 1TF  
UK

Tel: +44 (0)1280 824055  
Fax: +44 (0)1280 817179  
Email: sales@ead-ltd.com  
Web: www.ead-ltd.com